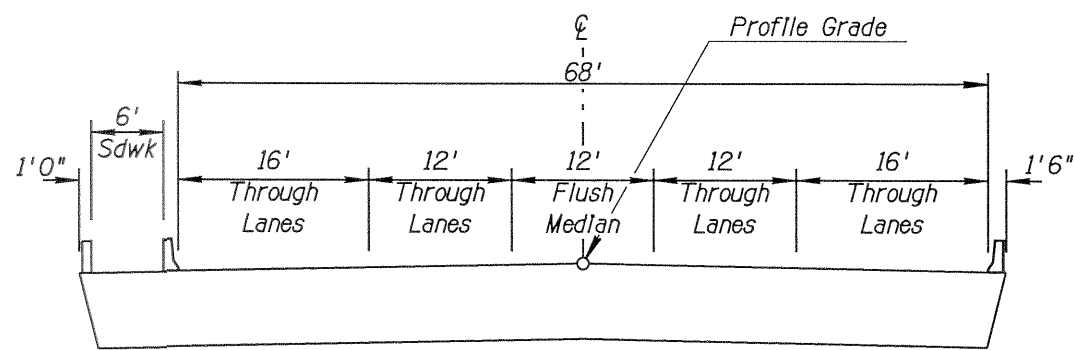
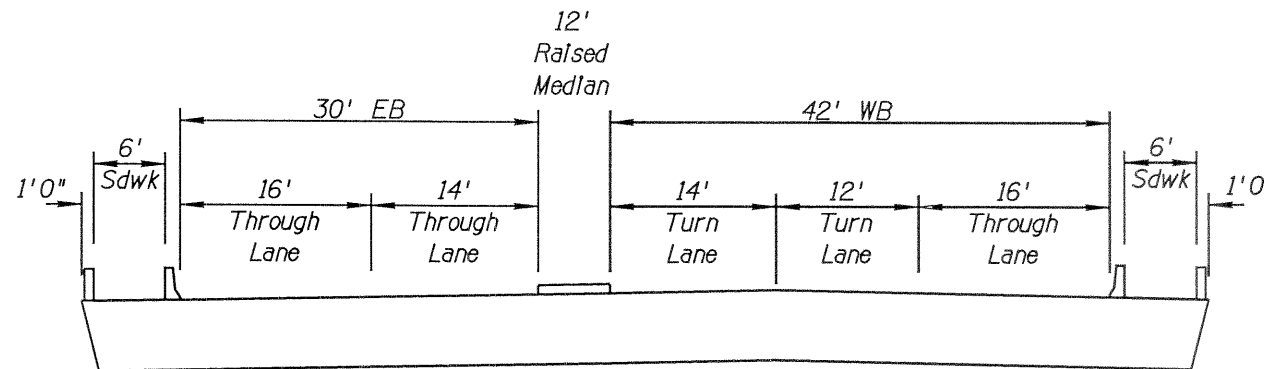


# **APPENDIX A Typical Sections**

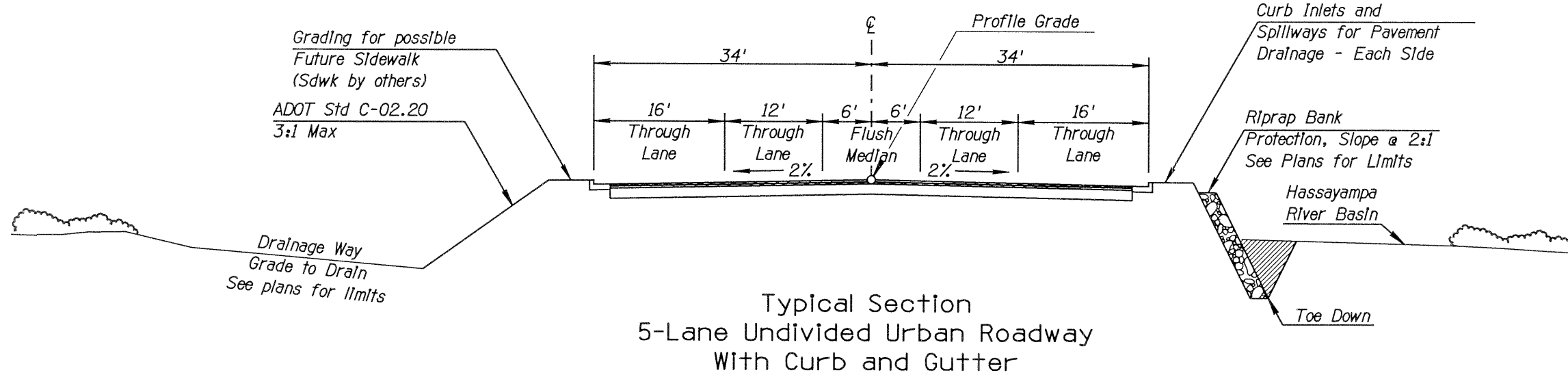
Plotted By: Freehlot Date: 09-JUL-2003 13:41  
 File: p:\014164\700\ADD\102CIVIL\102ADON\64c-int-tp01.dgn



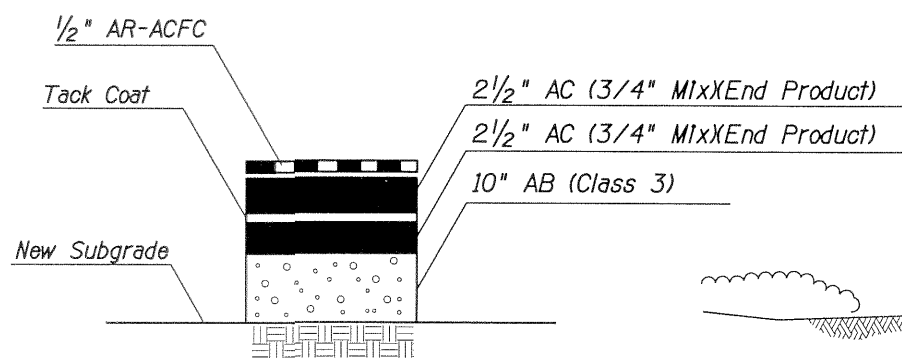
Typical Section Sols Wash Bridge



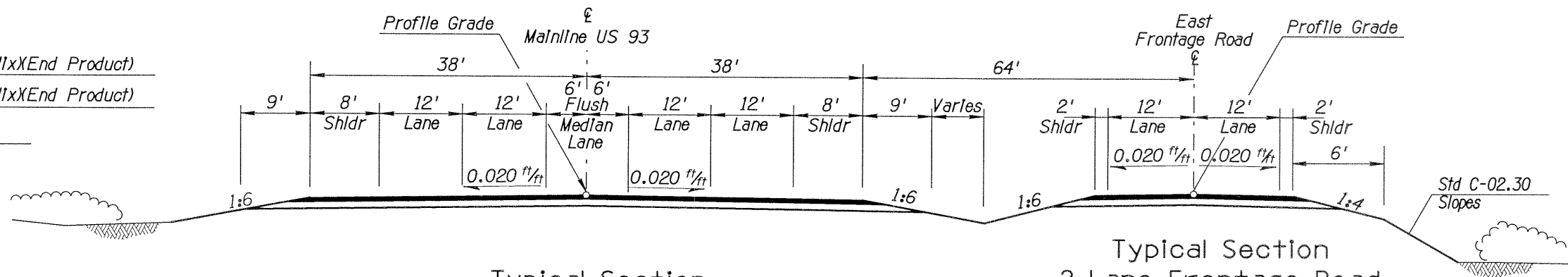
Typical Section Hassayampa River Bridge



Typical Section 5-Lane Undivided Urban Roadway With Curb and Gutter



PAVEMENT STRUCTURAL SECTION US 93 Mainline / Ties



Typical Section 5-Lane Undivided Rural Roadway

Typical Section 2-Lane Frontage Road (See Plans for Location)

Appendix A Typical Sections